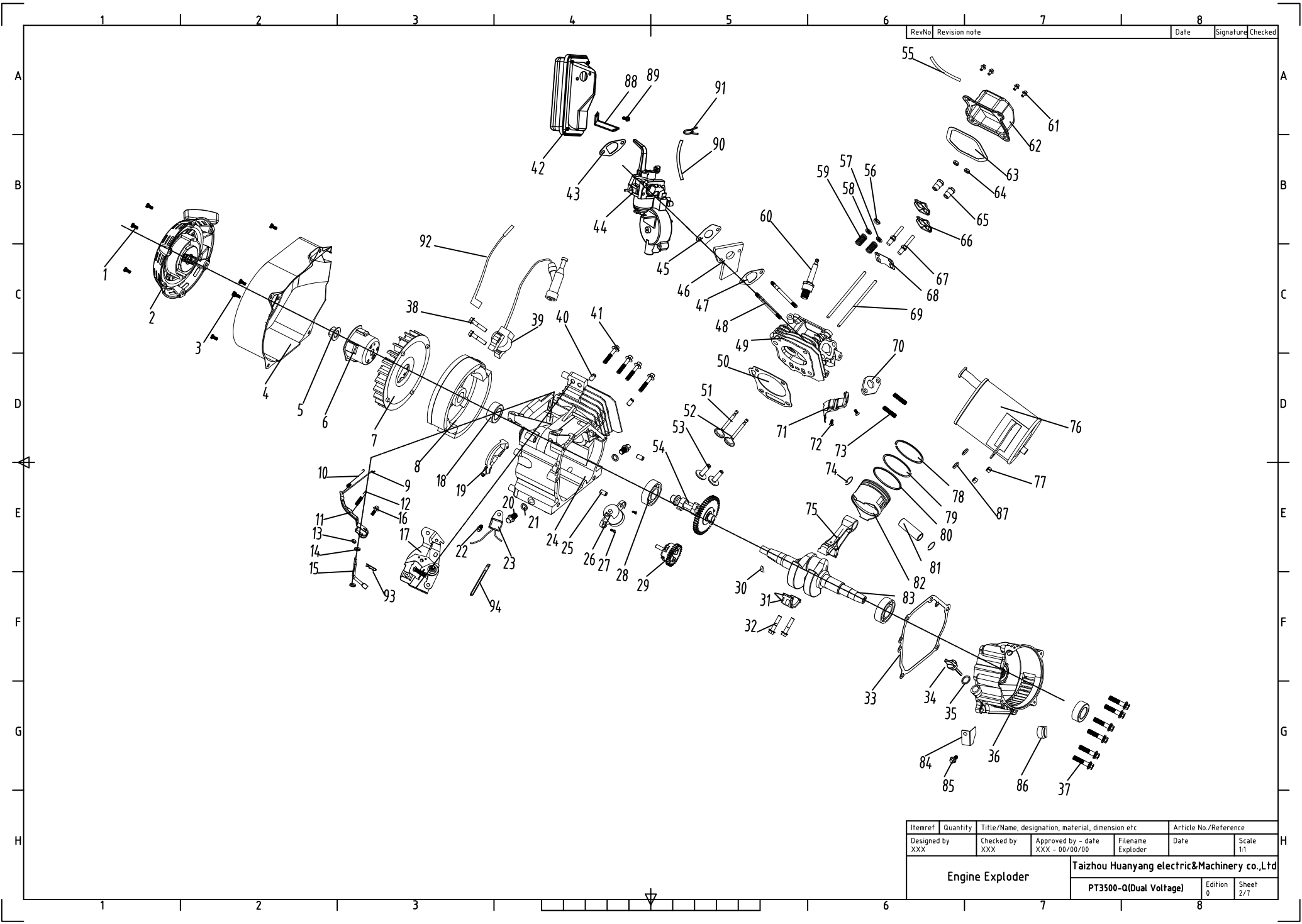


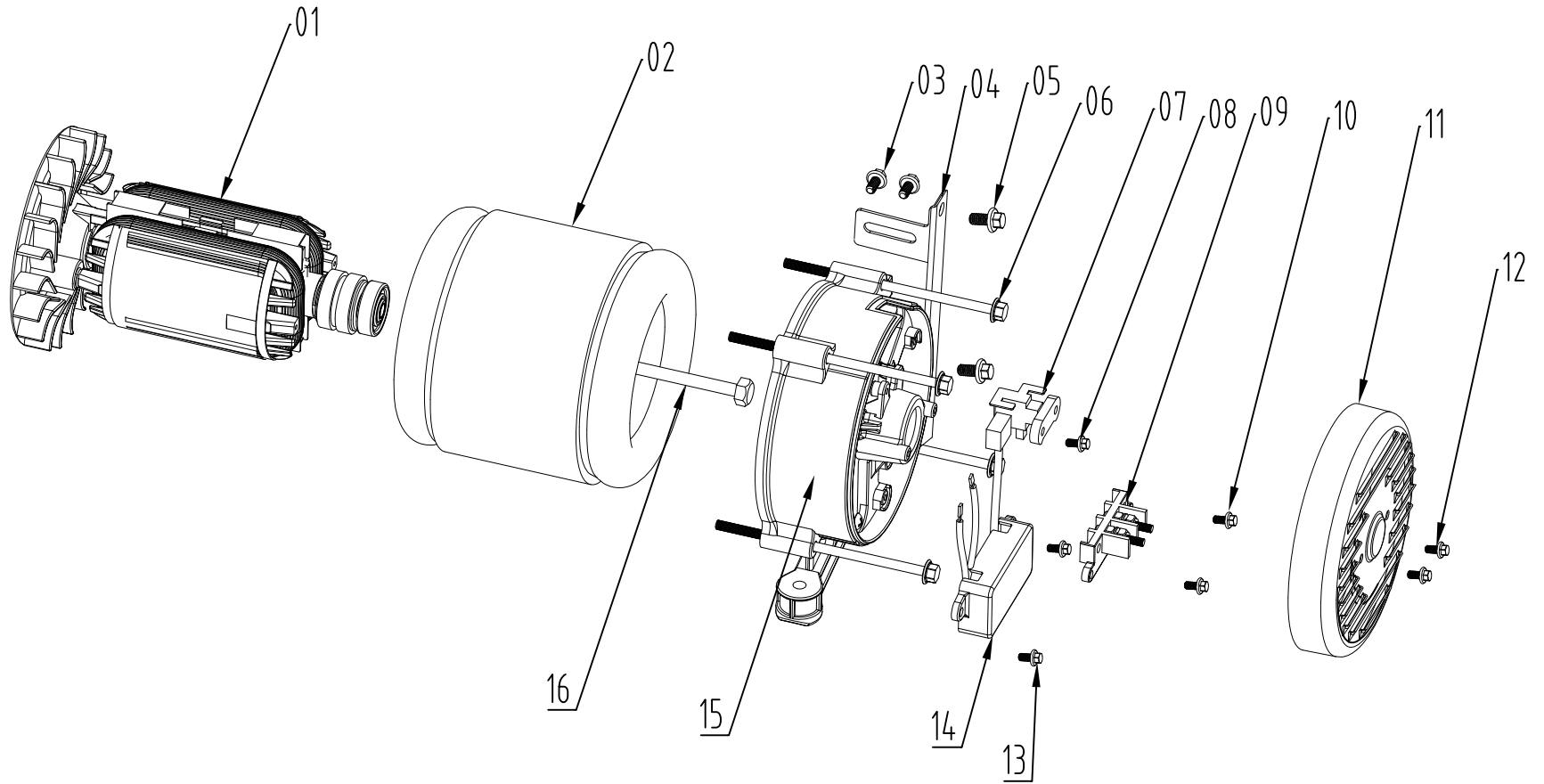
5	Control panel				
4	Electrical machine				
3	Frame				
2	Fuel tank				
1	Engine				
Number	English				
Itemref	Quantity	Title/Name, designation, material, dimension etc	Article No./Reference		
Designed by XXX	Checked by XXX	Approved by - date XXX - 00/00/00	Filename Exploder	Date	Scale 1:1
Generator Explosive General Drawing			Taizhou huanyang Electric & Machinery Co.,Ltd		
			PT3500-Q(Dual Voltage)		Edition 0



RevNo	Revision note	Date	Signature	Checked
-------	---------------	------	-----------	---------

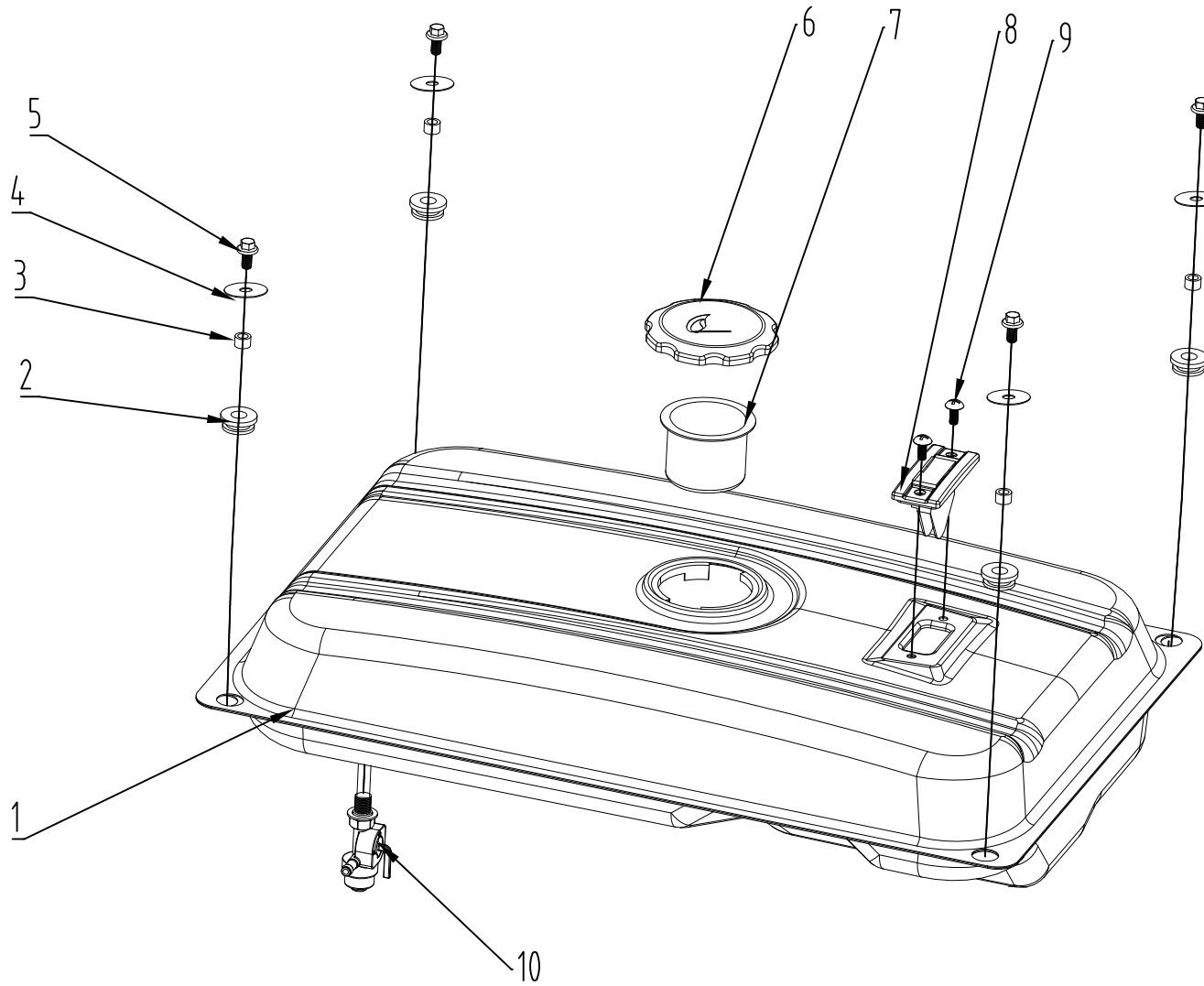
Itemref	Quantity	Title/Name, designation, material, dimension etc		Article No./Reference	
Designed by XXX	Checked by XXX	Approved by - date XXX - 00/00/00	Filename Exploder	Date	Scale 1:1
Engine Exploder				Taizhou Huanyang electric&Machinery co.,Ltd	
				PT3500-Q(Dual Voltage)	Edition 0

TAIZHOU HUANYANG ELECTRIC & MACHINERY CO.,LTD			Engine Components list for PT3800-Q Dual Voltage)		Sheet 3/7
No	English Name	Number	No	English Name	Number
	1-Engine		48	Stud Bolt M6×90	2
1	Flange Bolt M6×8	3	49	Cylinder head	1
2	Recoil starter	1	50	Cylinder head gasket	1
3	Flange Bolt M6×12	4	51	Intake Valve	1
4	Fan Cover	1	52	Exhaust Valve	1
5	Flywheel Nut M14×1.5	1	53	Valve Lifter	2
6	Starting Cup	1	54	Iron Camshaft	1
7	Fan	1	55	Breather tube	1
8	Flywheel	1	56	Exhaust Valve Hat	1
9	Governor Pull Rod	1	57	Exhaust Valve Spring Retainer	1
10	Small Governor Spring	1	58	Intake Valve Spring Retainer	1
11	Governor Arm	1	59	Valve Spring	2
12	Set Governor Spring	1	60	Sparkplug	1
13	Flange Nut M6	1	61	Flange Bolt M6×12	4
14	Gasket 6	1	62	Cylinder head cover	1
15	Governor Lever	1	63	Cylinder head cover gasket	1
16	Square Bolt M6×21	1	64	Rocker Nut	2
17	Set Governing base	1	65	Rocker adjust Nut	2
18	Oil seal	2	66	Rocker arm	2
19	Flywheel Plate	1	67	Rocker Bolt	2
20	Drain Plug	2	68	Push-Rod Keep Frame	1
21	Drain Plug Gasket	2	69	Push-Rod	2
22	Flange Bolt M6×12	1	70	Exhaust pipe Gasket	1
23	Interdiction Organ	1	71	Lead Wind Cover	1
24	Crankcase	1	72	Flange Bolt M6×8	2
25	Crankcase Pin φ8×14	2	73	Stud bolt M8×32	2
26	Oil Sensor	1	74	Piston pin clip	2
27	Flange Bolt M6×12	2	75	Connecting rod body	1
28	Bearing 6205	2	76	Muffler	1
29	Governor Gear	1	77	Nut M8	2
30	Flywheel Key	1	78	Top compression ring	1
31	Connecting rod Cover	1	79	Second compression ring	1
32	Connecting rod Bolt	2	80	Oil ring	1
33	Crankcase Gasket	1	81	Piston pin	1
34	Oil ruler	1	82	Piston	1
35	Oil ruler Gasket	1	83	Crankshaft	1
36	High Crankcase cover	1	84	Iron cover	1
37	Flange Bolt M8×33	6	85	Flange Bolt M6×8	1
38	Flange Bolt M6×25	2	86	Rubber cover	1
39	High Voltage Bag	1	87	Spring gasket 8	2
40	Cylinder Head Pin φ8×16	2	88	Air Cleaner support	1
41	Flange Bolt M8×55	4	89	Flange Bolt M6×8	1
42	Air Cleaner	1	90	Fuel pipe	1
43	Air cleaner gasket	1	91	Fuel pipe circlip	2
44	Carburetor	1	92	Off line	1
45	Carburetor gasket	1	93	Governor Lever circlip	1
46	Carburetor Insulator	1	94	Line card	1
47	Carburetor Insulator Gasket	1			



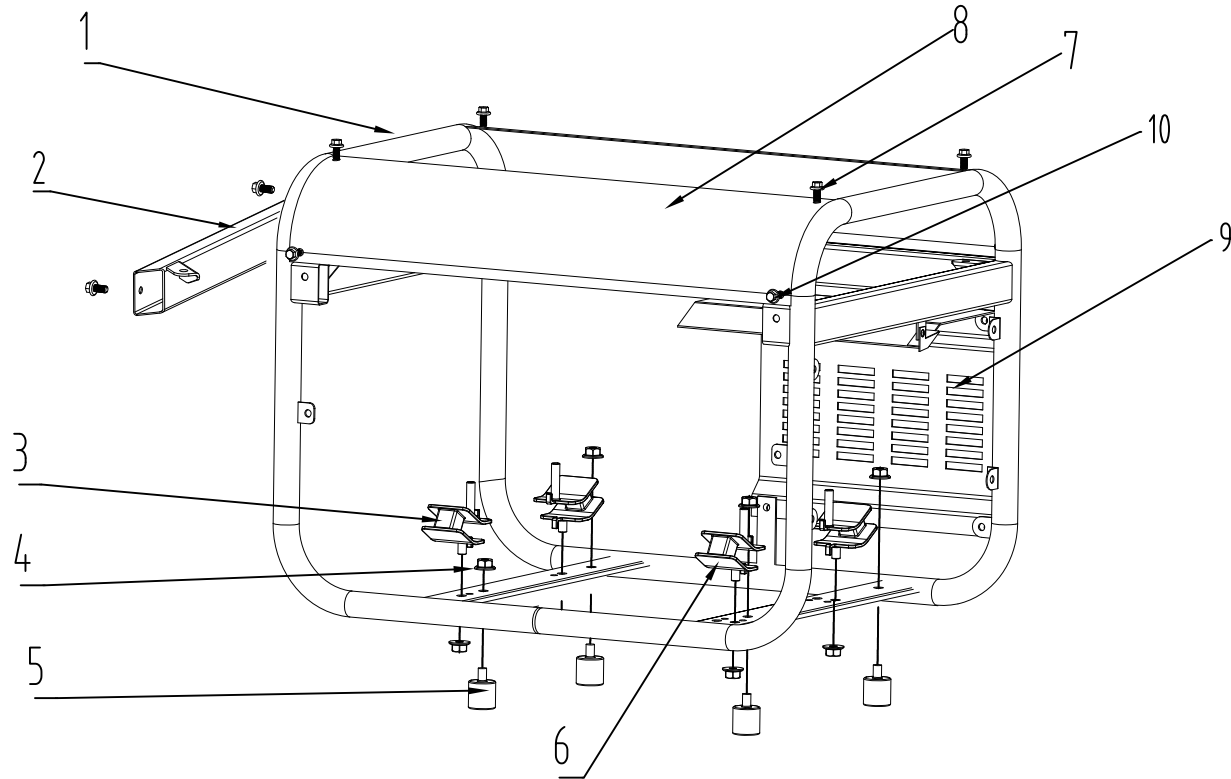
4	Hang feet	1	8	Carbon brush Bolt M5×16	1	12	Back Cover bolt M5×8	2	16	Rotor bolt	1
3	Bolt M6×12	2	7	Carbon brush	1	11	Back Cover	1	15	Generator End Bell	1
2	Stator	1	6	Stator bolt	4	10	Junction Box Bolt M5×12	2	14	AVR	1
1	Rotor	1	5	Bolt M8×16	2	9	Junction Box	1	13	AVR Bolt M5×12	2
No	English	Number	No	English	Number	No	English	Number	No	English	Number

Itemref	Quantity	Title/Name, designation, material, dimension etc			Article No./Reference	
Designed by XXX	Checked by XXX	Approved by - date XXX - 00/00/00	Filename Exploder	Date	Scale 1:1	
Electrical machine Exploder			Taizhou Huanyang electric&Machinery co.,Ltd			
			PT3500-Q(Dual Voltage)		Edition 0	Sheet 4/7



4	Iron gasket	4	8	Fuel Meter	1			
3	Iron cover	4	7	Filter net	1			
2	Rubber gasket	4	6	Fuel tank Cover	1	10	Fuel switch	1
1	Fuel tank	1	5	Bolt M6×25	4	9	Bolt M5×12	2
No	English	Number	No	English	Number	No	English	Number

Itemref	Quantity	Title/Name, designation, material, dimension etc			Article No./Reference		
Designed by XXX	Checked by XXX	Approved by - date XXX - 00/00/00	Filename Exploder	Date	Scale 1:1		
Fuel tank parts Exploder				Taizhou Huanyang electric&Machinery co.,Ltd			
				PT3500-Q(Dual Voltage)		Edition 0	Sheet 5/7



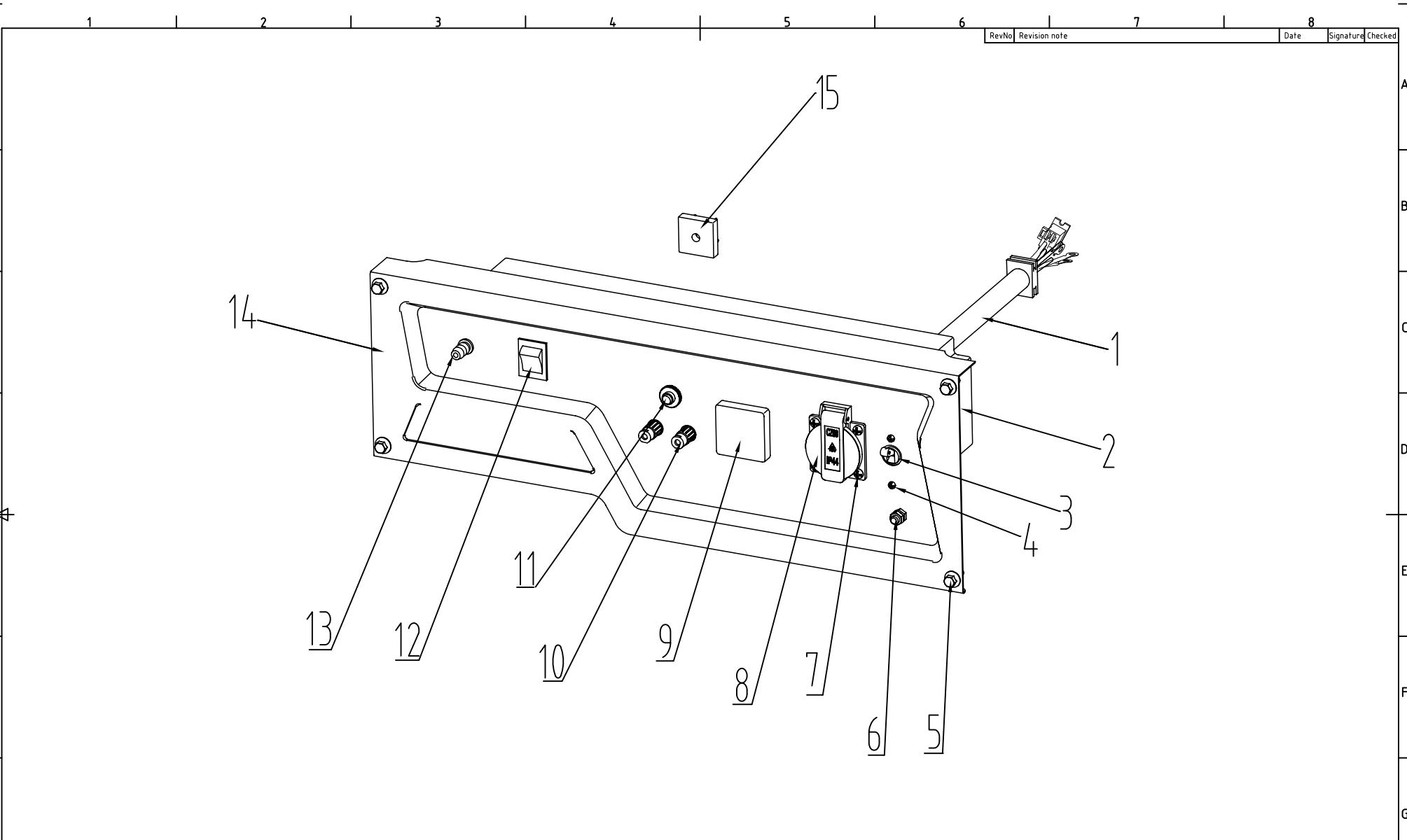
4	Flange Nut M8	12	8	Curved plate	2	12		
3	Left damping feet	1	7	Flange Bolt M6×35	4	11		
2	Moved cross beam	1	6	Right damping feet	1	10	Flange Bolt M6×12	4
1	Frame	1	5	Rubber feet	4	9	Side Guard plate	1
NO	English	Number	NO	English	Number	NO	English	Number

Itemref	Quantity	Title/Name, designation, material, dimension etc			Article No./Reference	
Designed by XXX	Checked by XXX	Approved by - date XXX - 00/00/00	Filename Exploder	Date	Scale 1:1	
Frame Explosive Drawing			Taizhou huanyang Electric & Machinery Co.,Ltd			
			PT3500-Q(Dual Voltage)		Edition 0	Sheet 6/7

A
B
C
D
E
F
G

H

1



5	Bolt M6X12	4	10	DC terminal	1	15	Bridge pile	1
4	Bolt M3×8	2	9	Voltage meter	1	14	Q Model Panel	1
3	Breaker	1	8	Socket	1	13	LPG gas inlet	1
2	Panel back cover	1	7	Bolt M4X12	8	12	Switch	1
1	Inlet wire	1	6	Earth bolt	1	11	DC Breaker	1
NO	English	Number	NO	English	Number	NO	English	Number

Itemref	Quantity	Title/Name, designation, material, dimension etc			Article No./Reference	
Designed by XXX	Checked by XXX	Approved by - date XXX - 00/00/00	Filename Exploder	Date	Scale 1:1	
Control panel Explosive Drawing			Taizhou huanyang Electric & Machinery Co.,Ltd			
			PT3500-Q(Dual Voltage)			Edition 0

1 2 3 4 5 6 7 8